

A

B

C

D

E

F

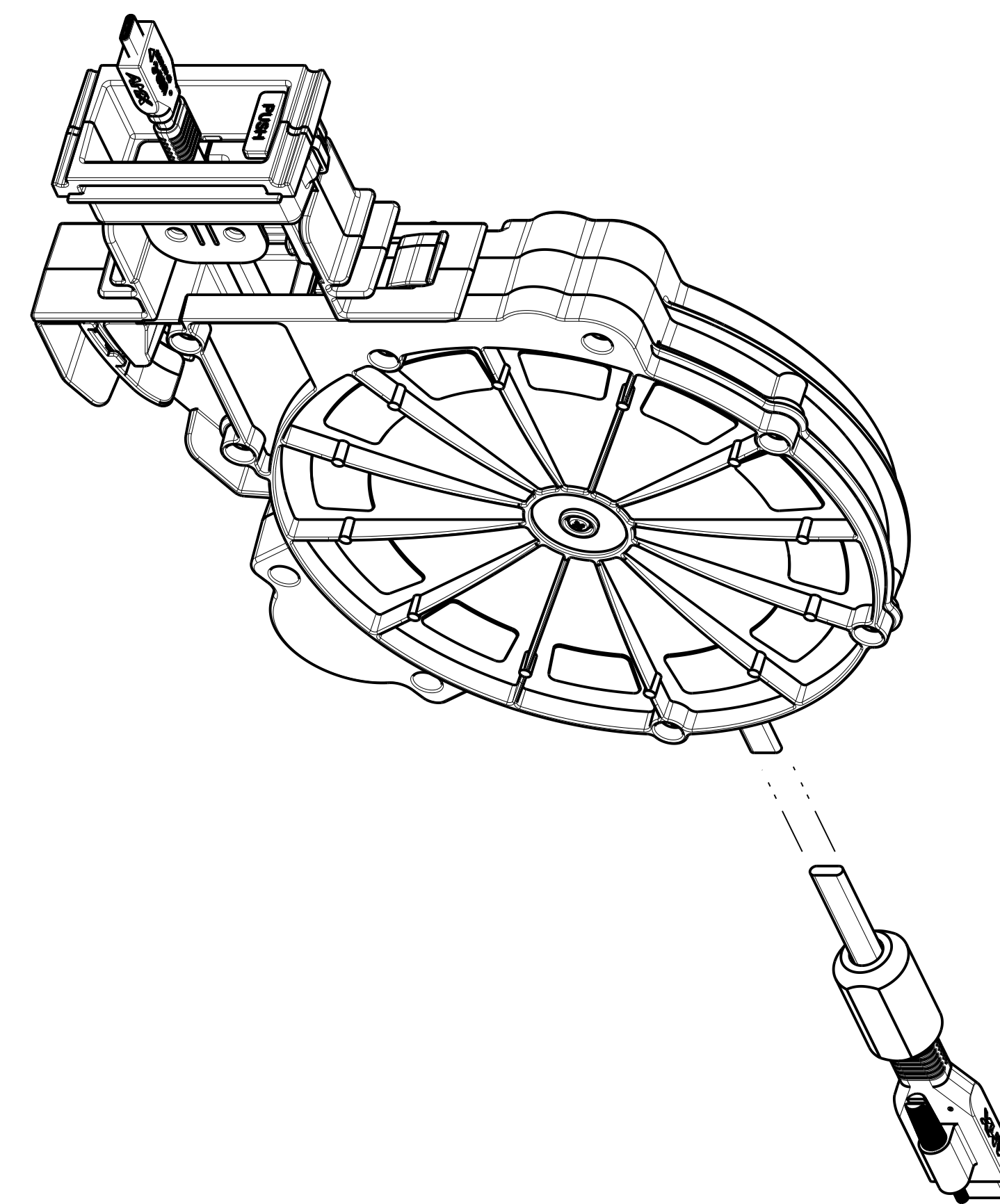
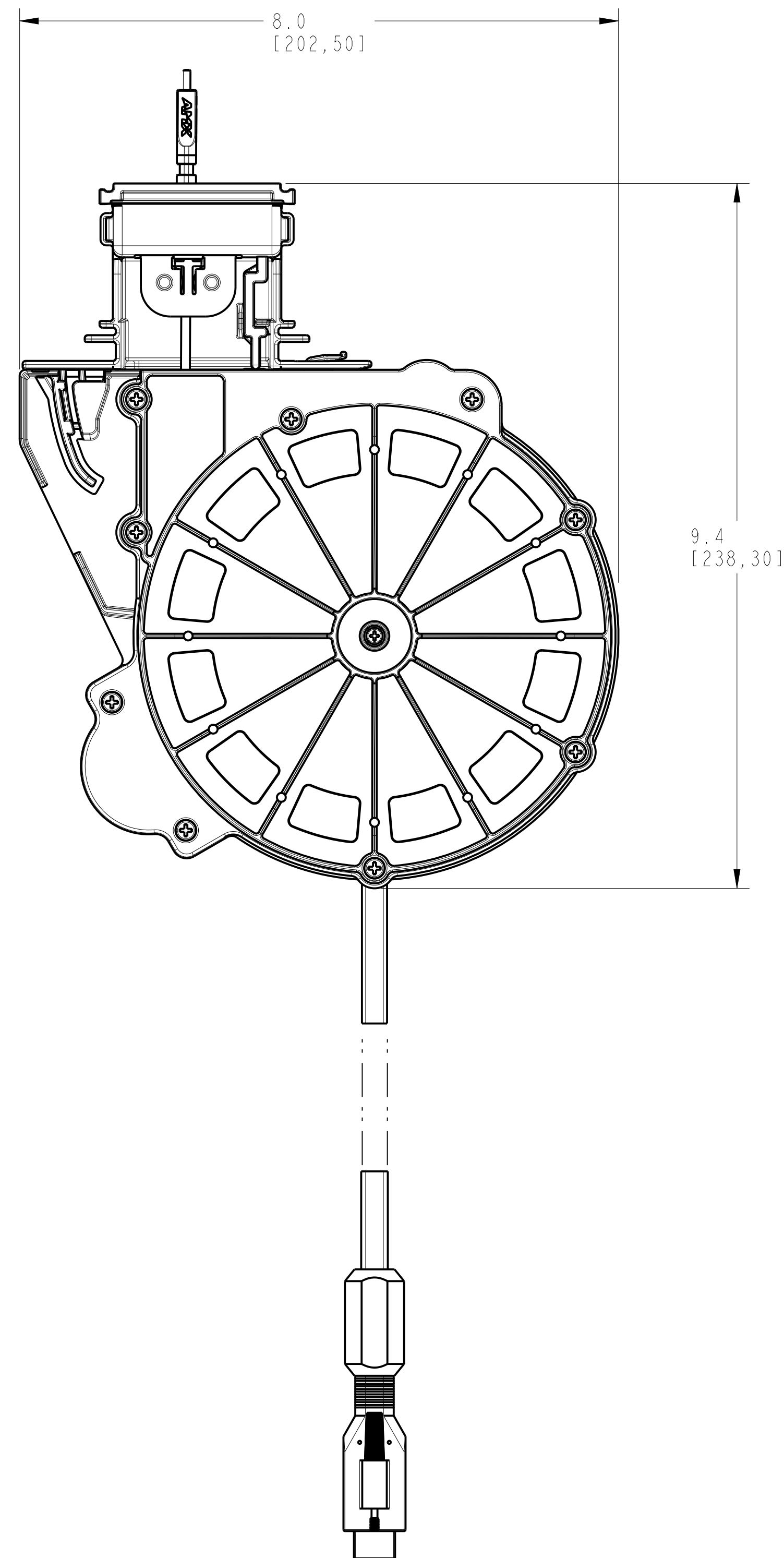
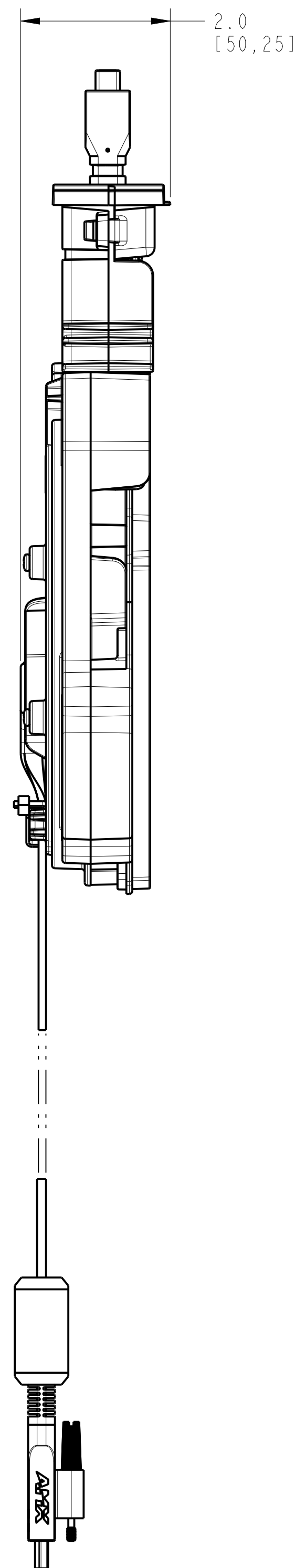
AMX-UHMR01C

I

H

REVISIONS				
REV	ECN NUMBER	DESCRIPTION	DATE	APPROVED
A	ECNXXXXX	DOCUMENT RELEASE	29-Apr-24	

NOTES: UNLESS OTHERWISE SPECIFIED  
 1. DIMENSIONS IN [ ] ARE IN MILLIMETERS.



UNLESS OTHERWISE STATED, THE ARTICLE SPECIFIED SHALL BE RoHS COMPLIANT PER EU DIRECTIVE 2002/95/EC

NOTICE: This drawing is the property of AMX LLC. All information contained herein this is not generally known shall be confidential except to the extent the information had been previously established. This drawings may not be copied, reproduced, or used as the basis for manufacture or sale without written permission.

UNLESS OTHERWISE SPECIFIED  
 TOLERANCE ON DECIMAL DIMENSIONS: .X = ±0.1  
 .XX = ±0.02  
 .XXX = ±0.010  
 ANGLES: ±1.0°  
 SURFACE FLATNESS .003 TIR PER LINEAR INCH  
 ALL DIMENSIONS IN INCHES.  
 DO NOT SCALE DRAWING

**AMX** AMX LLC  
 3000 RESEARCH DRIVE  
 RICHARDSON, TX 75082

PICTORIAL DRAWING  
 HPX-AV103-USBC-R  
 USB-C RETRACTABLE MODULE FOR HYDRAPORT

SIZE <b>D</b>	DRAWING NUMBER AMX-UHMR01C	REV A
SCALE 3:4	SHEET 1 OF 1	

A

B

C

D

E

F

G

H